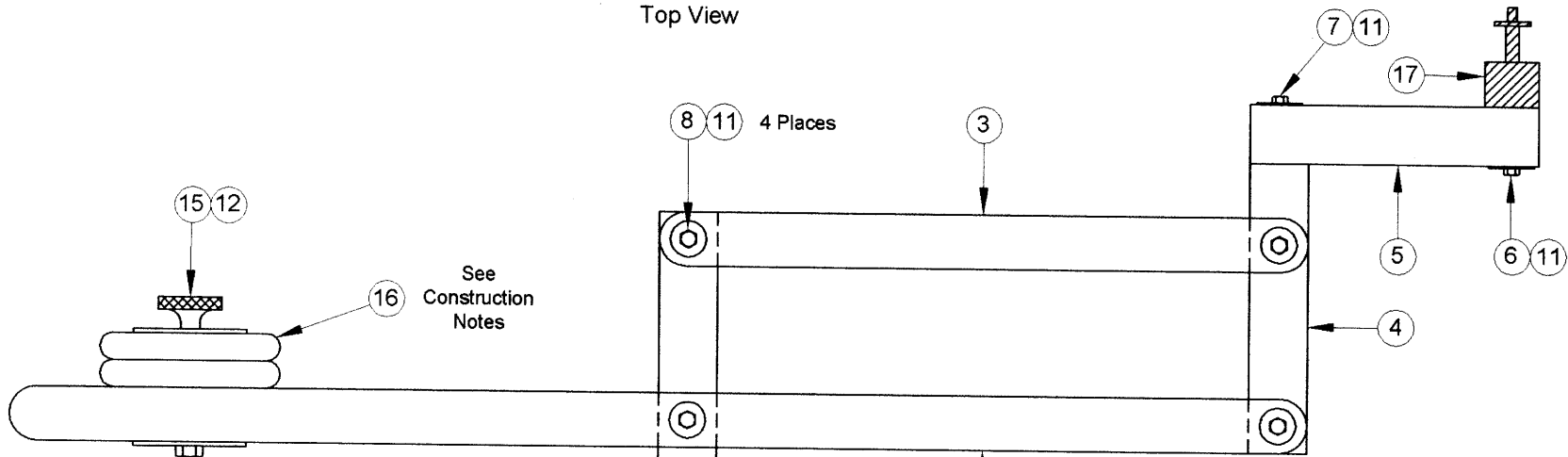


Top View



Side View

See
Construction
Notes

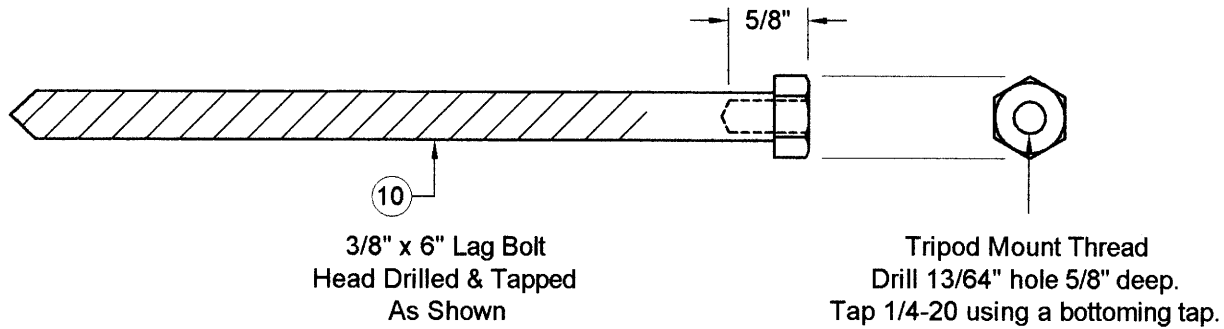
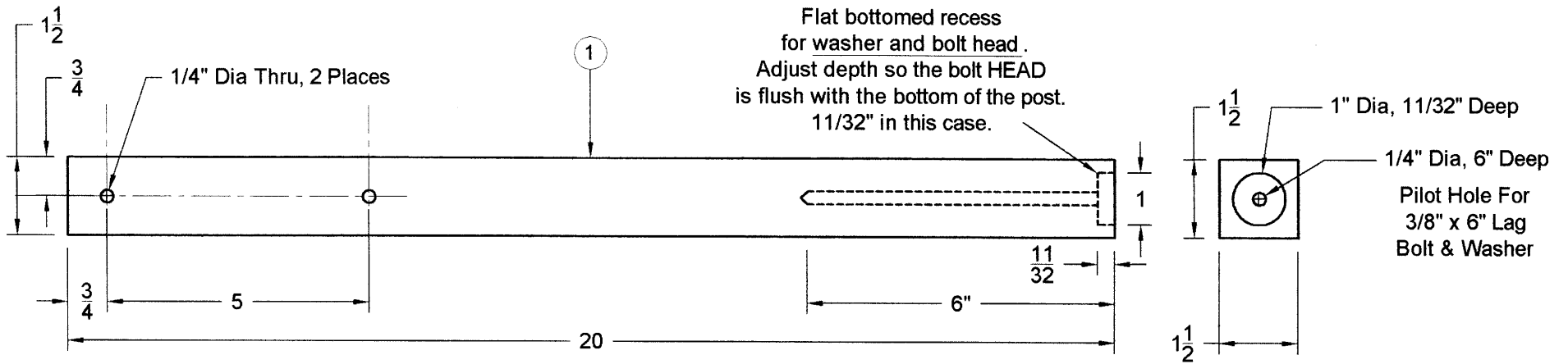
- 1) Main Post: 1-1/2" square x 20" long oak. 1 Req.
- 2) Long Beam: 3/4" x 36" long oak. 2 Req.
- 3) Short Beam: 3/4" x 18" long oak. 2 Req.
- 4) Short Vertical Post: 1-1/2" square x 8" long oak. 1 Req.
- 5) Short Horizontal Post: 1-1/2" square x 8" long oak. 1 Req.
- 6) 1/4"-20 x 2" Hex head bolt. 1 Req.
- 7) 1/4" x 3" Lag bolt. 1 Req.
- 8) 1/4"-20 x 3-1/2" Hex head bolt. 4 Req.
- 9) 1/2"-13 x 5" Hex head bolt. 1 Req.
- 10) 3/8" x 6 Lag bolt. 1 Req.
- 11) 1/4" x 1" Fender washer. 10 Req.
- 12) 1/2" x 3-1/8" washer. Purchase or fabricate. 2 req.
- 13) 3/8" Fender washer. 1 req.
- 14) 1-1/4" Knob with 1/4"-20 thread or 1/4"-20 wing nuts. 4 Req.
- 15) 1-3/4" Knob with 1/2"-13 thread or 1/2"-13 wing nut. 1 req.
- 16) Bar bell counter weights as required. See notes.
- 17) Ball swivel. Promaster Jr. or equivalent. Available at Dodds Camera or Cord Camera. NOT DRAWN TO SCALE. "L" Bracket not shown.

Overall Assembly

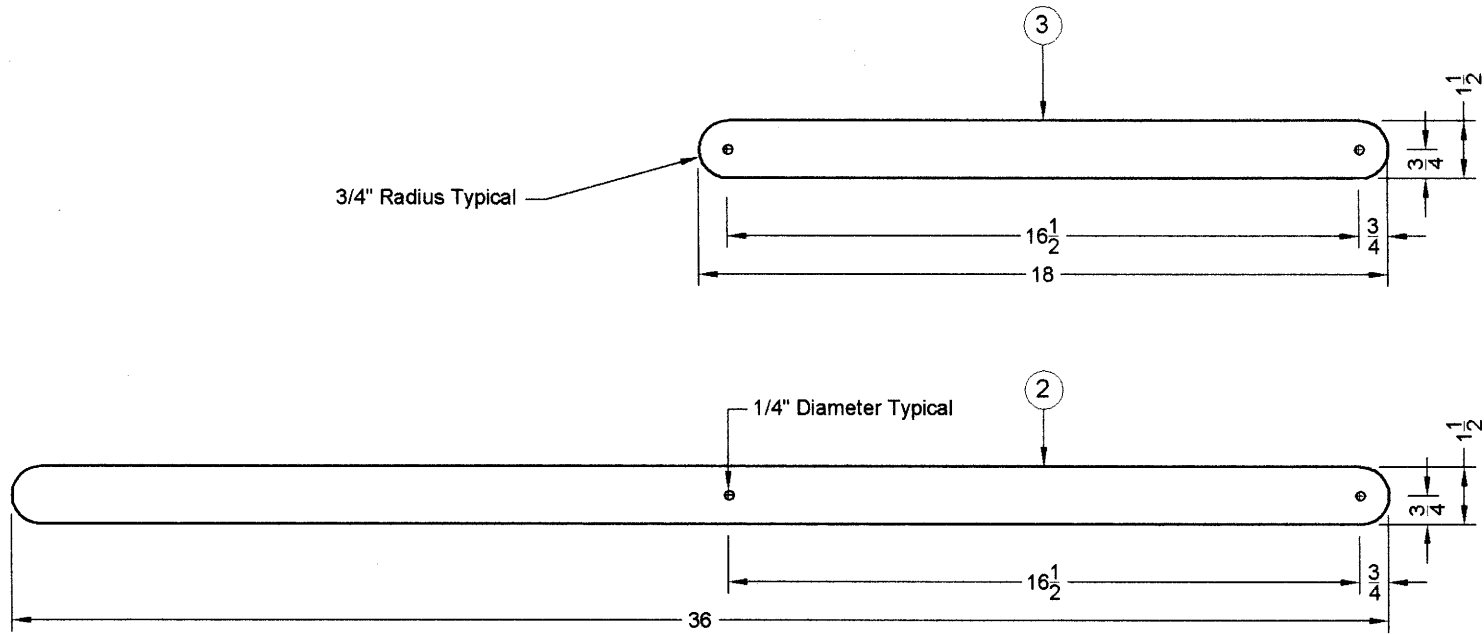
Page 1 of 4

(Also, See Additional Construction Notes)

1/5 Scale

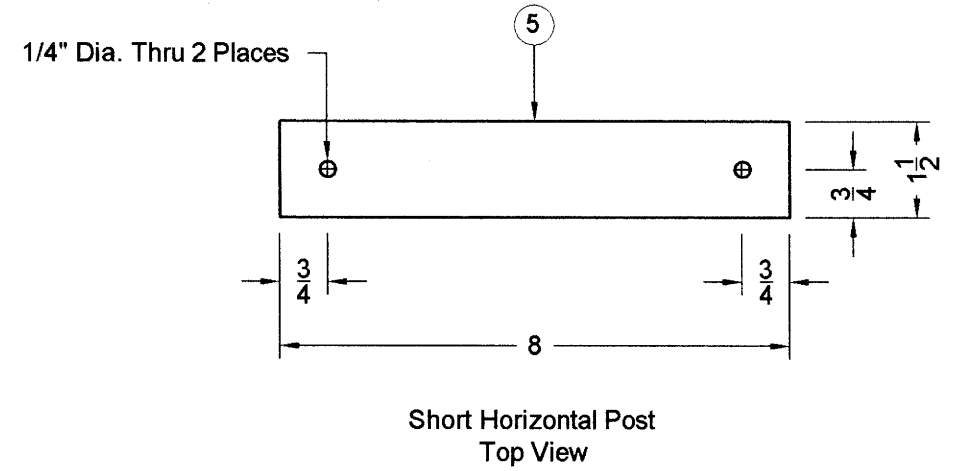
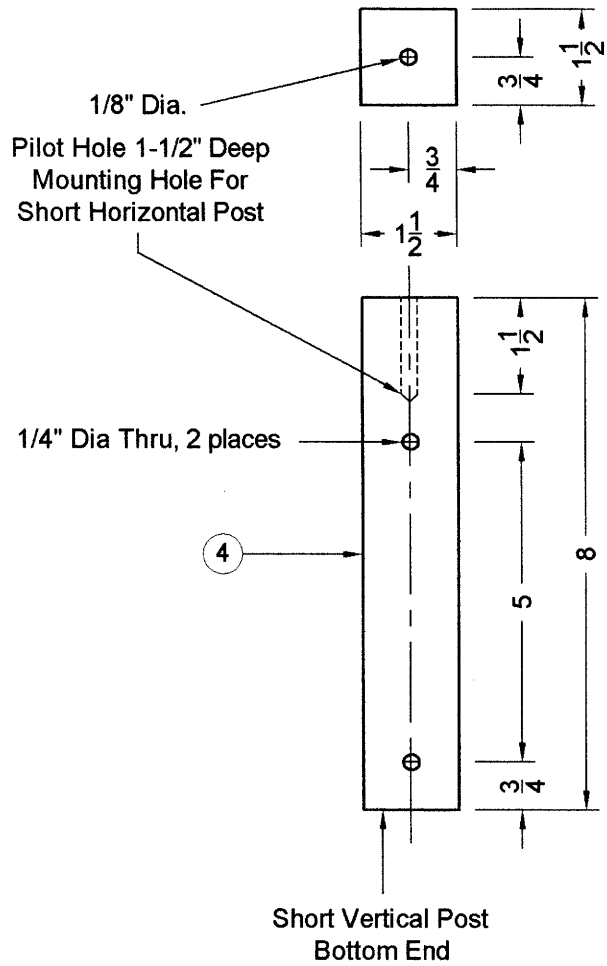


Main Post (1/3 Scale)
 & Bolt (NO Scale!)
 Page 2 of 4



Long and Short Beams
 1-1/2" Wide x 3/4" Thick Stock
 2 Pieces Each
 See Construction Notes
 Page 3 of 4

1/5 Scale



Short Vertical
And Horizontal
Posts
Page 4 of 4

1/3 Scale